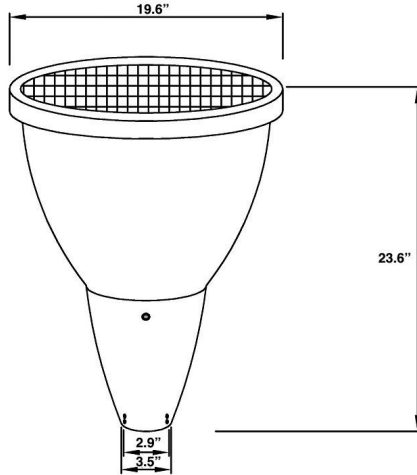




Bid Project Name:
SKU#
Type:

**FEATURES**

- Suggest installing height: 8ft-10ft
- Suitable used in home garden, hotel garden, park, courtyard, pathway and so on.
- Solar energy, no pollution, saving bill.
- Easy installing.
- All solar panel, LED light, controller and battery are contained in the lamp.



<b>Solar Panel:</b>	28W/18V Mono-crystalline Solar Panel. Grade A
<b>LED:</b>	12W, 10*18mil Epistar Chip
<b>Lifespan of LED:</b>	More than 50,000 hours
<b>Luminous Flux:</b>	1200lm~1320lm
<b>Color Temperature:</b>	3500~7500K
<b>Beam Angle:</b>	120°
<b>Battery:</b>	12AH/12V Li-ion Lithium battery
<b>Discharging Time:</b>	18h (100% power) 42h(energy- saving mode)
<b>Charging Time:</b>	8h
<b>Material:</b>	6063 Aluminum, PC
<b>Working Temperature:</b>	-13°F – 131°F
<b>Protection Grade:</b>	IP65
<b>Control Mode:</b>	Light Control + Time Control

