

## 5BF Series

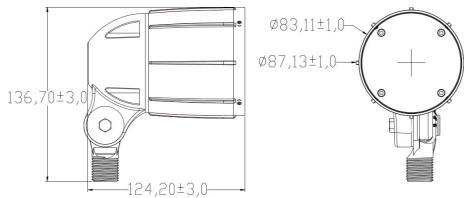
12 WATT



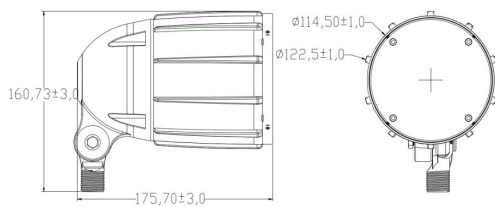
30/40 WATT



### Dimensions



12 WATT (\*MM)



30/40 WATT (\*MM)

### DESCRIPTION

Techtop's LED Bullet Flood light provides energy-efficient, directional lighting for landscape, facade, outdoor signage, and accent lighting, and many other commercial and residential applications. It's IP65 rated, sealed to prevent dirt, bugs and moisture. The product is constructed with precise die-casting aluminum housing, optic lens.

Replacing up to a 150-watt metal halide, the bullet flood is offered with 3000K, 4000K, 5000K temperatures. 12W 30W and 40W will be qualified by DLC Premium and backed with 5 years warranty. It can be mounted to electrical boxes or posts, and features a locking swivel arm for angle adjustment.

### COMPLIANCE

- UL/cUL DLC Premium listed
- LM79 / LM80 / IES available

### FEATURES

- High quality 3030 chips deliver over 133 lumens per watt.
- UL 1598 listed for wet locations.
- Universal voltage: 120-277 Volt.
- Precise die-casting aluminum housing with integral cooling fin.
- Superior Architectural Bronze Powder Coat Finish.
- Less risk of water ingress: No front frame, two-step waterproof performance protection.
- 100,000+ hours lifespan, top quality with 5 years warranty.
- UL/cUL DLC Premium Listed

\* This product, or selected versions of this product, meet the standards listed below. Please consult factory for your specific requirements.



# LED Bullet Flood Light

## SPECIFICATIONS

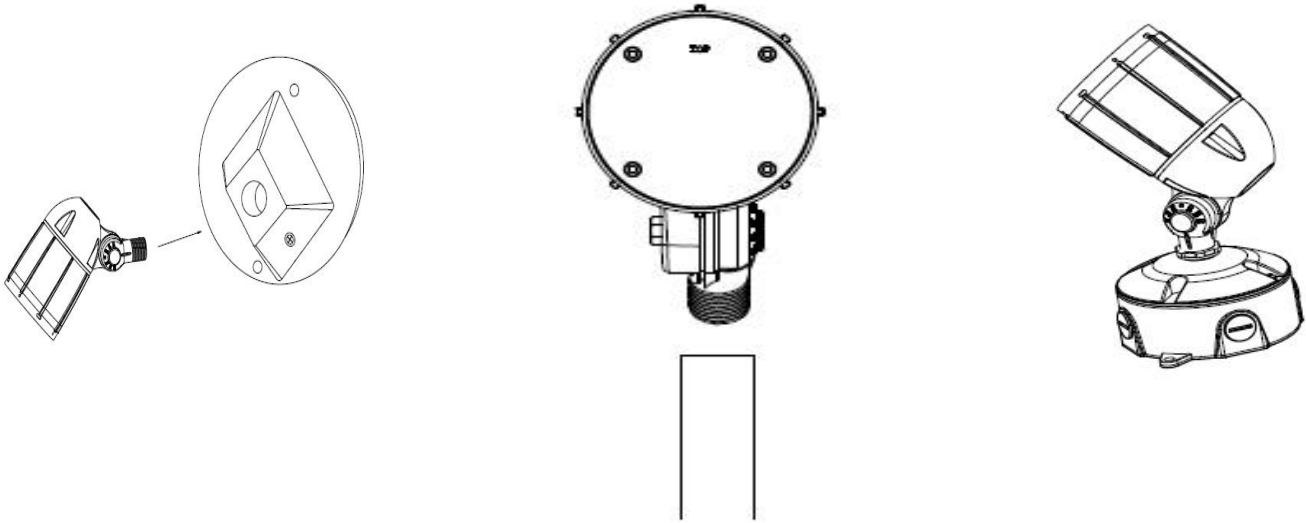
Model	TP-BF12GL	TP-BF30L	TP-BF40SL
Beam Angle	22°/35°/57°		
Input Power	12W	30W	40W
Input Voltage	100-277V		
Luminous Flux	1480LM	3870LM	4800LM
Efficiency	125LM/W	133LM/W	126LM/W
LED Source	Seoul 3030		Cree 3030
Color Temp.:	3000K/4000K/5000K		
CRI	≥70		
Lifespan	>100,000 Hrs		
Power Factor	>0.9		
Fixture Material	Die-cast aluminum + Optic lens		
Fixture Surface	Bronze Standard		
IP Rating	IP65		
Operating Temp	- 40°C to 40°C		
Testing Reports	LM79, LM80, IES available		
Certificate	UL/cUL DLC Premium		
Warranty	5 years warranty		
Mounting	1/2" NPT thread or junction box mount		

## Ordering Guide

EXAMPLE: TP-BF30L50BDW

Light type	Wattage	Voltage	CCT	Finish	Dimming	Distribution	Photocontrol
BF=LED bullet flood	12G=12W 30=30W 40S=40W	L=100-277V	30=3000K 40=4000K 50=5000K	B=Bronze W=White BK=Black	D=Dimmable Blank=Non dimmable	N=Narrow M= Medium W=Wide	P= Photocontrol Blank=No Photocotrol

## MOUNTING OPTIONS



## SAFETY INFORMATION

### WARNING

ONLY QUALIFIED PERSONNEL SHOULD PERFORM INSTALLATION. TO AVOID ELECTRICAL SHOCK OR COMPONENT DAMAGE, DISCONNECT POWER BEFORE ATTEMPTING INSTALLATION OF THE FIXTURES.

### PRIOR TO INSTALLATION

Before installing fixtures, read and understand all cautions, warnings, instructions, and product labels. Failure to do so could result in injury and/or void the warranty.

### MAINTENANCE

The unit is designed for years with minimum care. For optimum performance, periodically clean the reflector and lens with a mild, non-abrasive glass cleaner and soft cloth. Do NOT use solvents or cleaners containing abrasive agents. When cleaning the fixture, make sure you have the power turned off and do not spray liquid cleaner directly onto the LED, socket, or wiring.