

RGBW Color Changing LED Landscape Light

FEATURES

- Color and brightness are controlled through app or the remote
- DC12V/ DC24V/ AC12V
- Available in 22°, 35° and 57°
- Excellent thermal management for a long life
- IP65 rated for both outdoor and indoor use
- ½" NPT threaded arm with locking swivel

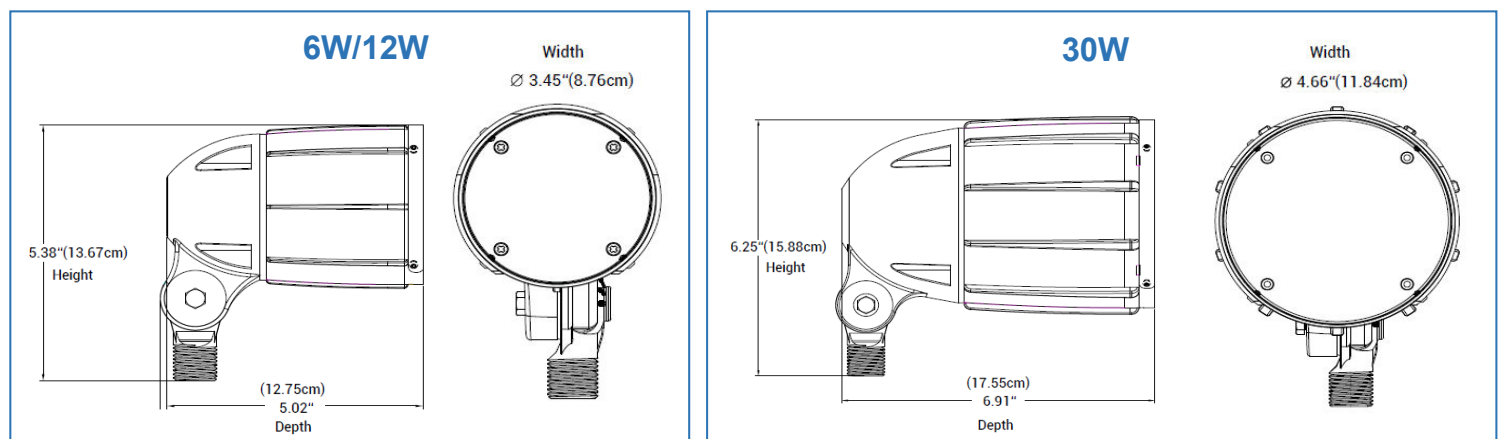
APPLICATIONS

- Indoor & outdoor lighting
- Landscape lighting
- Building lighting
- Flag pole lighting

SPECIFICATIONS

Product Pictures			
Model No.			
Power	6W	12W	30W
Voltage	DC12V/ DC24V/ AC12V	DC12V/ DC24V/ AC12V	DC12V/ DC24V/ AC12V
Color	RGBW	RGBW	RGBW
Lumen Range	R- 81LM; G- 109LM; B- 22LM; W-182LM	R- 209LM; G-218LM; B-45LM; W-343LM	R- 462LM; G- 524LM; B-107LM; W-867LM
Control Options	Remote controller & Smart phone APP	Remote controller & Smart phone APP	Remote controller & Smart phone APP
CRI	70	70	70
Beam Angle	22° / 35° / 57°	22° / 35° / 57°	22° / 35° / 57°
Dimensions	5.02" x 5.38" x 3.45"	5.02" x 5.38" x 3.45"	6.91" x 6.25" x 4.66"
Fixture Material	Die-Cast Aluminum	Die-Cast Aluminum	Die-Cast Aluminum
Fixture Color	Bronze(STD.)	Bronze(STD.)	Bronze(STD.)
IP Rating	IP65	IP65	IP65
Operating Temp.	-30°C to +40°C	-30°C to +40°C	-30°C to +40°C
Average Lifespan	50,000 hours	50,000 hours	50,000 hours
Warranty	5-year limited	5-year limited	5-year limited

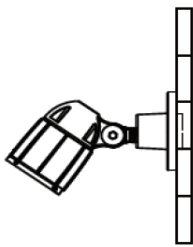
DIMENSIONS



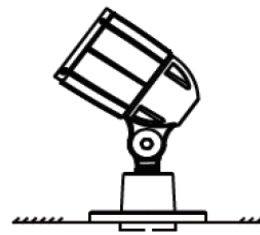
ORDERING INFORMATION

Series	Wattage	Voltage	Light Color	Finish Color	Controls	Beam Angle
5BF= Gen.5 RGBW Color Changing LED Landscape Light	06= 6W 12= 12W 30= 30W	DC12= DC12V DC24= DC24V AC12= AC12V	RGBW	B= Bronze BK= Black W= White	[Blank]= None RC= Remote Controller	N= Narrow 22° M= Medium 35° W= Wide 57°

INSTALLATIONS



Wall Mount



Ground Mount